



Opti-V™ Aquarium

VFA2927



The magic of an aquarium
without the maintenance.

The Opti-V Aquarium uses unprecedented technology to render a virtual aquarium experience that is stunningly beautiful and maintenance-free, making it ideal for commercial installations including lobbies, medical offices, and restaurants. The design features ultra-realistic swimming fish within a three dimensional environment that is vibrant in both color and definition. The perfect blend of magic and realism, the Opti-V Aquarium is virtually amazing.











Opti-V™ Aquarium

VFA2927



Features

-  **Sound**
Bubbling of a real aquarium.
-  **Virtual Fish**
High definition video and a three-dimensional illusion creates the soothing effect of a living aquarium.
-  **Maintenance-free Operation**
Eliminates the time and cost required to feed fish and clean the tank.
-  **Direct-wired**
Designed to be direct-wired to a 120/240V circuit for a seamless look.
-  **Sight and Sound Remote**
Includes a convenient remote with sound effect volume control.
-  **Frame, Wire and Finish!**
Basic installation requires fewer tradespeople.
-  **Ultra-energy Efficient**
Uses less than 100 watts for incredibly low-cost operation.
-  **Reduces Liability**
Ideal for public spaces in commercial installations; meets the strictest building codes.

Accessories



OT1957-BLUE - Trim Kit
41-1/8 x 23-5/8 x 1-7/8 (104.5 cm x 60.0 cm x 4.8 cm)

Model #	Description	Lbs / Kg	UPC	Wty. [†]	Carton Dimensions (WxHxD)		Cube	
					Inches	cm	ft ³	m ³
VFA2927	Opti-V™ Aquarium	63 / 28.6	781052 104785	2 yr.	33-7/8 x 17-3/4 x 22-1/8	86.0 x 45.0 x 56.0	7.7	0.2
OT1957-BLUE	Opti-V™ Trim Kit	38.7 / 17.6	781052 126299	1 yr.	44-7/8 x 27-5/8 x 5-1/2	114.0 x 70.0 x 14.0	3.9	0.11

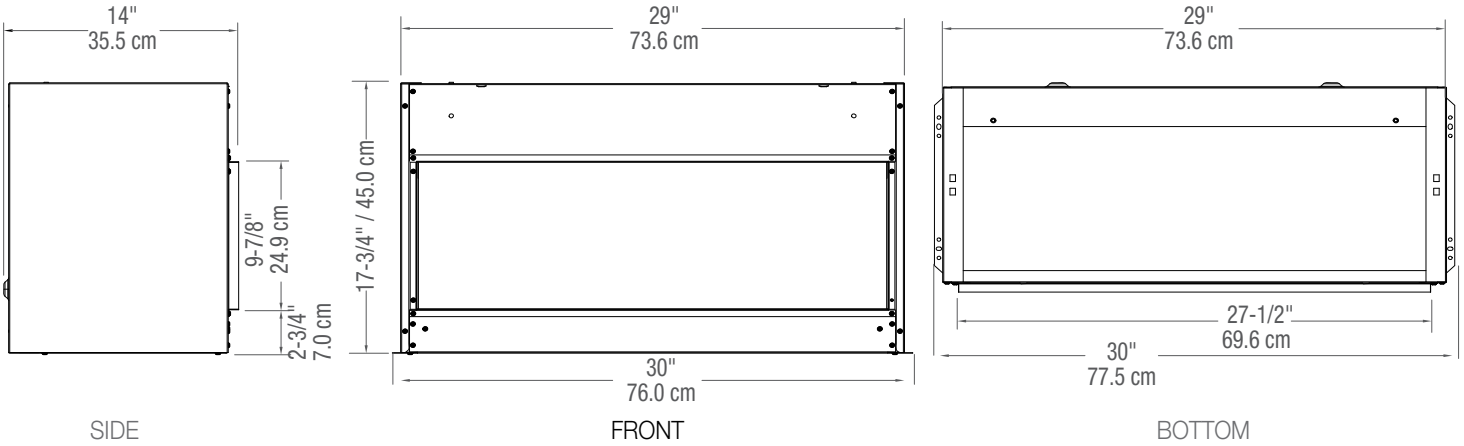
Specifications, finishes and dimensions are subject to change. [†]Limited warranty. ©2020 Glen Dimplex Americas

SE-008-R12-011720

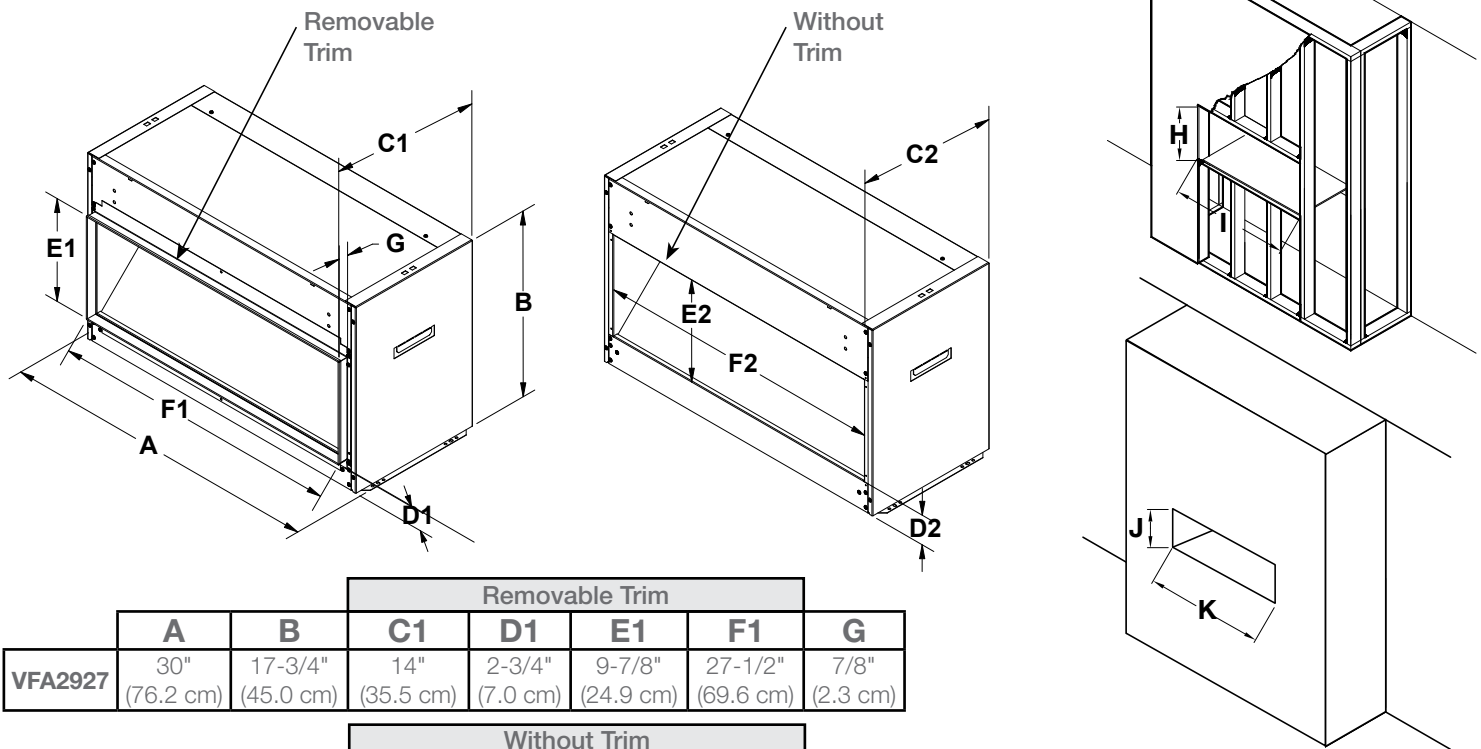
Opti-V™ Aquarium

VFA2927

Product Dimensions:



Framing Dimensions:



	Removable Trim						
	A	B	C1	D1	E1	F1	G
VFA2927	30" (76.2 cm)	17-3/4" (45.0 cm)	14" (35.5 cm)	2-3/4" (7.0 cm)	9-7/8" (24.9 cm)	27-1/2" (69.6 cm)	7/8" (2.3 cm)

	Without Trim							
	C2	D2	E2	F2	H	I	J	K
	13" (33.0 cm)	3" (7.5 cm)	9-1/2" (24.0 cm)	27" (68.4 cm)	18-5/8" (47.4 cm)	30-1/2" (77.5 cm)	9-1/2" (24.0 cm)	27" (69.0 cm)